



The miracles of science™

# Technical Data Sheet

Language: English  
Applicable for: All over Europe  
Effective Date: 18.07.2006

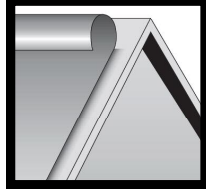
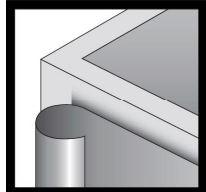


CPD 89/106

## Tyvek® 1560B

Type of carrier: HD-PE

DuPont de Nemours (Luxembourg) s.à r.l.  
L-2984 Luxembourg

	<p><u>Application:</u></p> <p>Flexible sheets for water proofing – Part 1: Underlays for discontinuous roofing</p> <p>EN 13859-1 (Feb 2005)</p>
	<p><u>Application:</u></p> <p>Flexible sheets for water proofing – Part 2: Underlays for walls</p> <p>EN 13859-2 (Dez 2004)</p>

PROPERTY	METHOD	UNITS	NOMINAL (Mean value)	TOLERANCE	
				Minimum	Maximum
Length (expressed in m)	EN 1848-2	%	Customer related	0	-
Width (expressed in mm)	EN 1848-2	%	Customer related	-0,5	+1,5
Straightness	EN 1848-2	mm	-	-	30
Mass per unit area	EN 1849-2	gr/m <sup>2</sup>	58	52	64
Reaction to fire	EN11925-2	Class	E	tested on mineralwool & wood	
Water tightness	EN 1928 (method A)	Class	W1	-	-
Water vapour transmission	EN ISO 12572	m	0,015	0,005	0,04
Maximum tensile force (MD)	EN 12311-1	N/50mm	165	125	205
Elongation at max. tensile force (MD)	EN 12311-1	%	9	6	12
Maximum tensile force (XD)	EN 12311-1	N/50mm	140	110	170
Elongation at max. tensile force (XD)	EN 12311-1	%	15	10	20
Resistance to tearing MD (nail shank)	EN 12310-1	N	65	40	90
Resistance to tearing XD (nail shank)	EN 12310-1	N	60	40	80
Resistance to penetration of air	EN12114	m <sup>3</sup> /(m <sup>2</sup> hr.50Pa)	-	-	0,25
Dimensionnel stability (MD & XD)	EN 1107-2	%	-	-	1
Flexibility at low temperature	EN 1109	°C	-	-	-40
Artificial ageing by UV and heat:	EN 1297 & EN 1296	Residual value	aged/new material		
Maximum tensile force in MD	EN 12311-1	%	90	-	-
MD elongation at max tensile force	EN 12311-1	%	85	-	-
Maximum tensile force in XD	EN 12311-1	%	90	-	-
XD elongation at max tensile force	EN 12311-1	%	75	-	-
Water tightness	EN1928 (A)	Class	W1	-	-
<b>ADDITIONAL PROPERTIES</b>					
Temperature resistance	-	°C	-	-40	+100
UV resistance	-	months	-	-	4
Water column	EN 20811	m	-	1,5	-
Windtight	-	-	yes	-	-

Some test methods are modified according to the EN 13859-1&2 and/or according to the DuPont DIN EN ISO 9001 (2000) certified quality system (for details please contact your regional DuPont representative). This information corresponds to our current knowledge on the subject. It is offered solely to provide possible suggestions for your own experimentation. It is not intended, however, to substitute for any testing you may need to conduct to determine for yourself the suitability of our products for your particular purposes. This information may be subject to revision as new knowledge and experience becomes available. Since we cannot anticipate all variations in actual end-use conditions, DuPont makes no warranties and assumes no liabilities in connection with any use of this information. Nothing in this publication is to be considered as a license to operate under or a recommendation to infringe any patent right. Product safety information is available on request. This data sheet is a printed document and is valid without signature

The DuPont Oval, DuPont™, The miracles of sciences & Tyvek are registered trademarks or trademarks of DuPont or its affiliates

Address:  
Rue Général Patton, Contern  
L-2984 Luxembourg

Tyvek® Marketing  
Tyvek® Customer Service  
Tyvek® Manufacturing

Fax (00352) 3666 5021  
Fax (00352) 3666 5018  
Fax (00352) 3666 5020